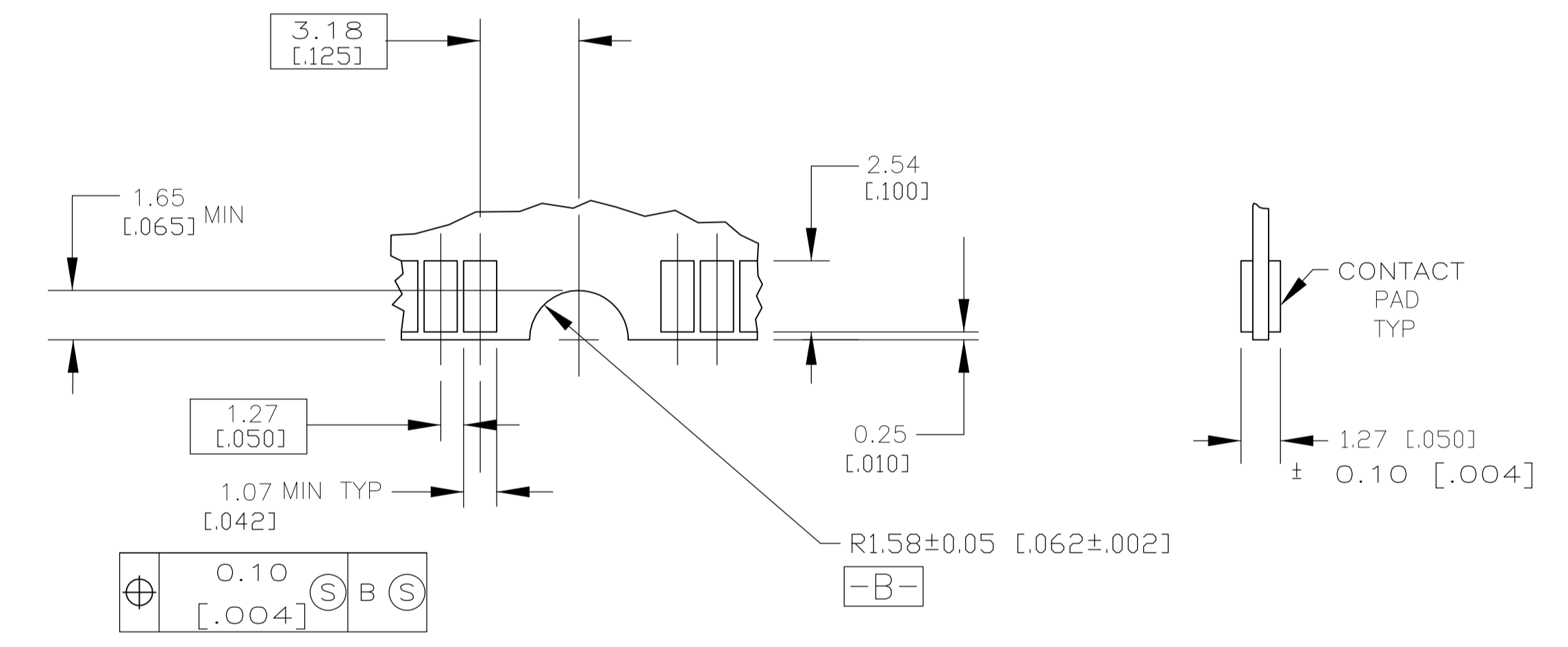
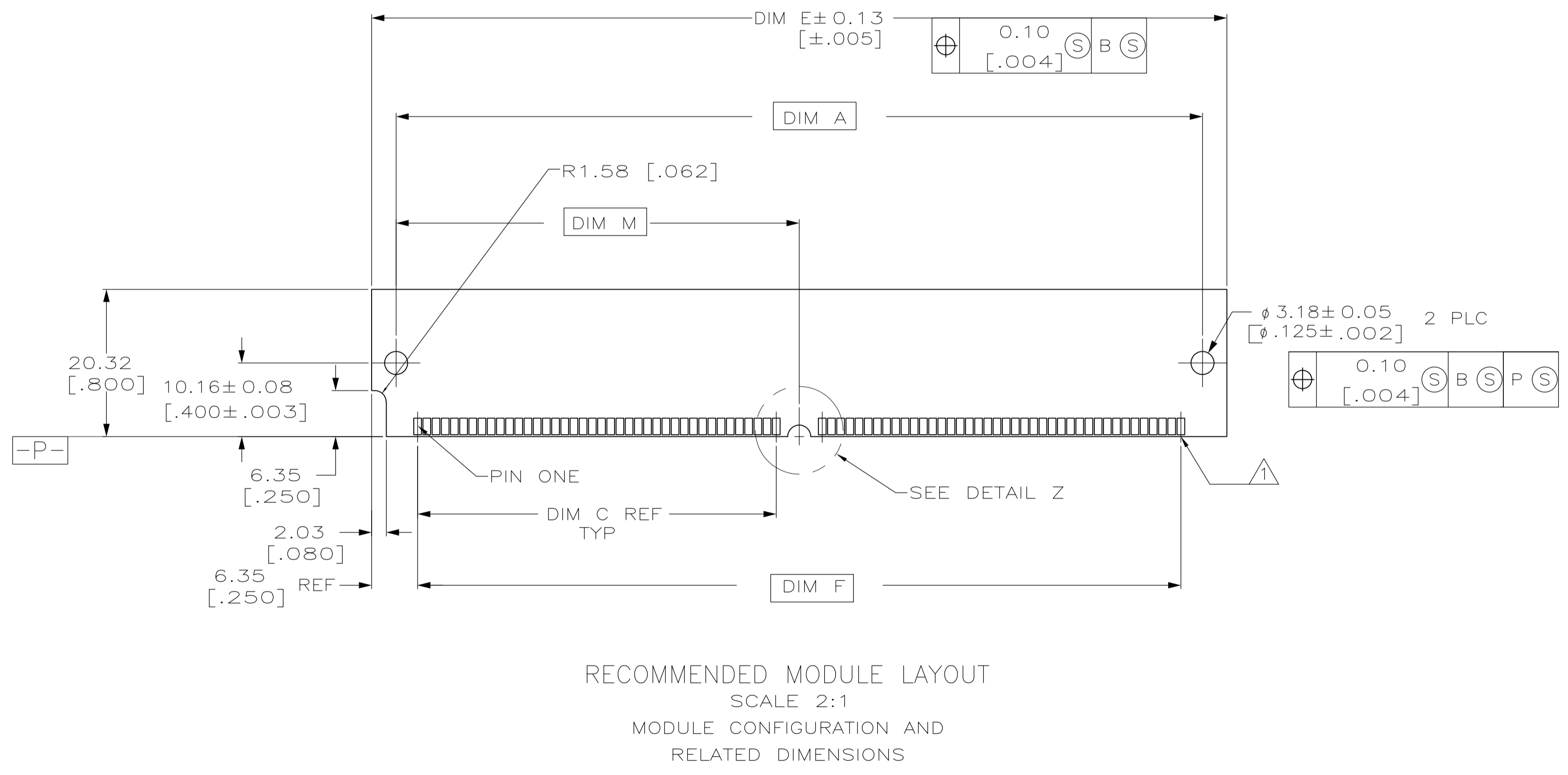
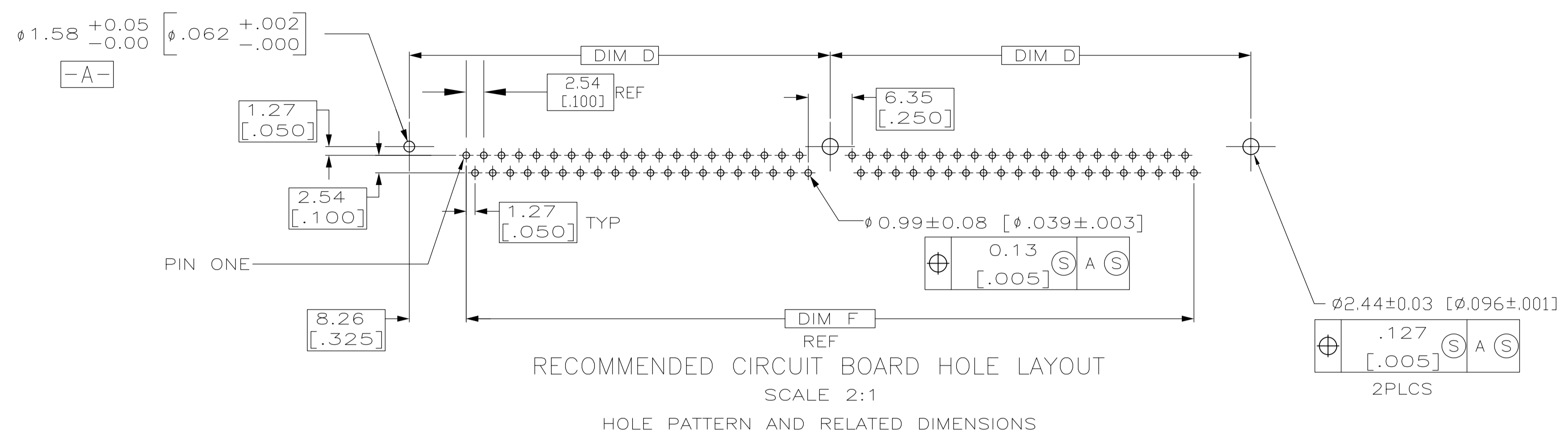


THIS DRAWING IS A CONTROLLED DOCUMENT.		DIN	WENKE HE	29MAR05	 TE Connectivity
DIMENSIONS: INCHES		CHK	STEVEN YAO	29MAR05	
TOLERANCES UNLESS OTHERWISE SPECIFIED:		APVD	RENOMOTO	29MAR05	NAME
0. PLC	± -	PRODUCT SPEC		SIMM II RTANG 1.27[.050]	
1. PLC	± -	APPLICATION SPEC		1.27 [.500] CL ASSY.,	
2. PLC	± -	MATERIAL		6.350 [.250] HEIGHT	
3. PLC	± .127(.005)	FINISH		SIZE	
4. PLC	± -	HSG:GLASS REINF		A1	
ANGLES	± -	CUSTOMER DRAWING		DRAWING NO	
		SCALE		5382486	
		SHEET		1 OF 2	
		REV		P	



55.68 [2.192]	121.92 [4.800]	105.41 [4.150]	118.11 [4.650]	60.96 [2.400]	49.53 [1.950]	125.73 [4.950]	111.35 [4.384]	80	8-5382486-0
50.60 [1.992]	111.76 [4.400]	95.25 [3.750]	107.95 [4.250]	55.88 [2.200]	44.45 [1.750]	115.57 [4.550]	101.19 [3.984]	72	7-5382486-2
DIM M	DIM J	DIM F	DIM E	DIM D	DIM C	DIM B	DIM A	POSN	PART NO.

THIS DRAWING IS A CONTROLLED DOCUMENT.		DIN WENKE HE 29MAR05		STE Connectivity	
DIMENSIONS: INCHES		TOLERANCES UNLESS OTHERWISE SPECIFIED:		APVD STEVEN YAO 29MAR05	
0 PLC ± -		1 PLC ± -		NAME SIMM II, RTANG,	
2 PLC ± -		3 PLC ± 0.1[.005]		1.27 [.050] CL ASSY.,	
4 PLC ± -		ANGLES ± ± -		6.35 [.250] HGT	
MATERIAL -		FINISH -		APPLICATION SPEC -	
		WEIGHT -		SIZE CAGE CODE DRAWING NO	
				A1 00779 C=5382486	
				RESTRICTED TO	
				CUSTOMER DRAWING SCALE 4:1 SHEET 2 OF 2 REV P	